

STOP! PLEASE READ FIRST:

Thank you for purchasing this item from Outdoor Interiors.

Please verify all the hardware and components are included as you unpack the carton. Place the items in a safe area to avoid loss and damaging contents. Use a soft area or use the empty box to assemble the set.

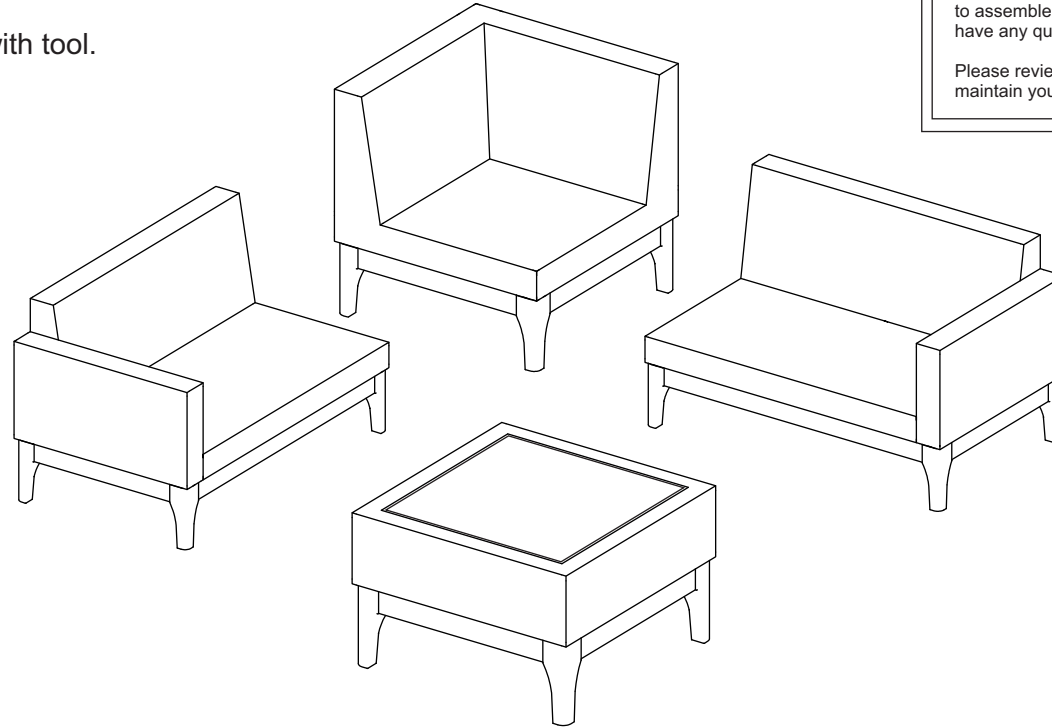
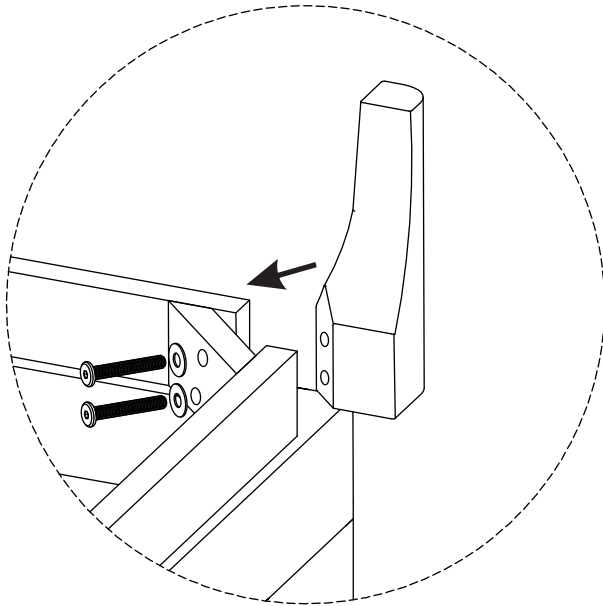
ASSEMBLY TIPS: Assemble upside down with the table top and sofas facing down. Never over-tighten bolts. It's best to assemble with 2 people. Please visit our website if you have any questions www.outdoorinteriors.com




Please review the "PLEASE OIL ME" card for how to care & maintain your new furniture.

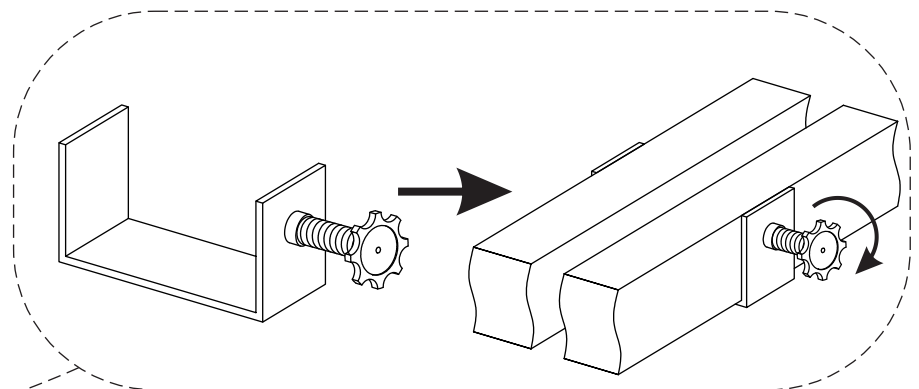
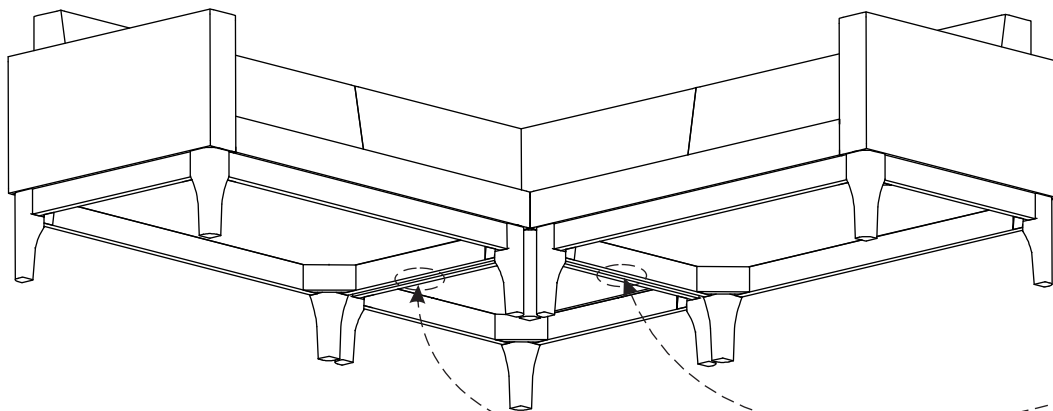
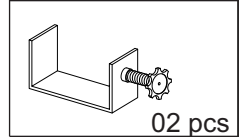
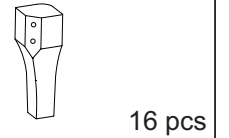
Assembly Instructions & Care:

S10333-WT 4pc. 4pc Eucalyptus Sectional Chat Set - IVORY/ WHEAT w Olefin Fabrics

- Assemble legs with frames upside down.
- Attach (A) Bolt and (B) washers - fully tighten with tool.



| Item | Description | Q'ty |
|------|---|--------|
| A |  Bolt 8x50 | 32 pcs |
| B |  Washer | 32 pcs |
| C |  Alien Key | 02 pcs |



• Connect sectional together.