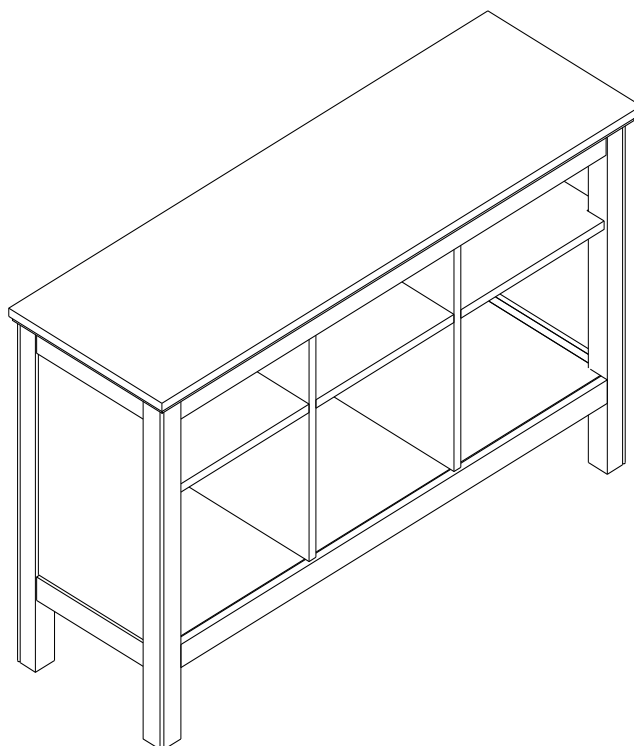


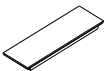

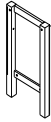
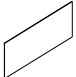


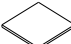
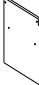






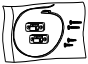
## **Painted Farmhouse Storage Console - OTNR6 & OTNR7**

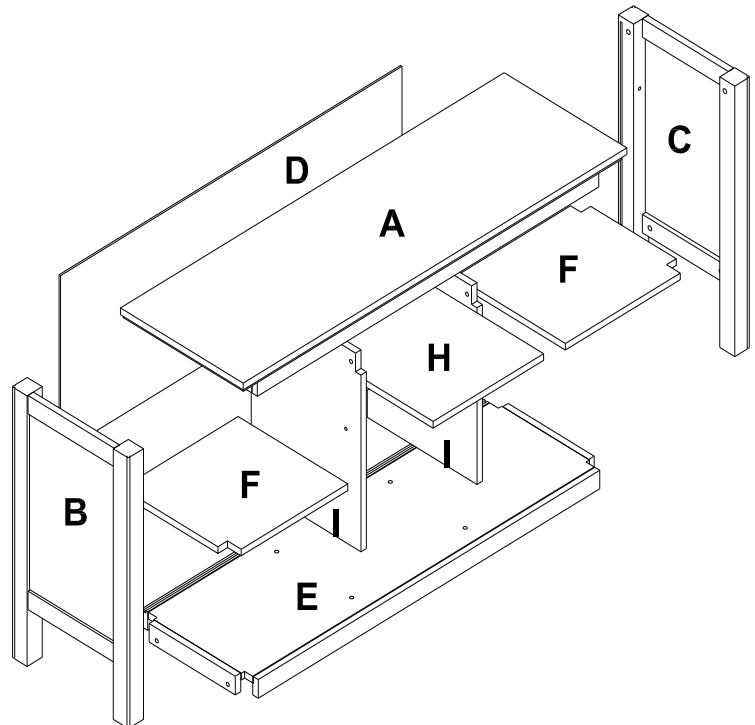


Thank you for purchasing our Pie Safe / Bookcase. Assembly of this product requires a phillips screwdriver. It is helpful to have a second person available during the assembly of this product.

Lay out parts on a non-abrasive surface to avoid scratching finish.

| NO. | DRAWING  | DESCRIPTION      | QTY. |
|-----|--|------------------|------|
| A   |   | TOP              | 1    |
| B   |   | SIDE PANEL-L     | 1    |
| C   |   | SIDE PANEL-R     | 1    |
| D   |   | BACK             | 1    |
| E   |   | BOTTOM           | 1    |
| F   |   | SHELF            | 2    |
| G   |   | SHELF-M          | 1    |
| H   |  | VERTICAL DIVIDER | 2    |

| NO. | DRAWING   | DESCRIPTION   | QTY. |
|-----|---|---------------|------|
| I   |  | M6*35MM BOLT  | 8    |
| J   |  | M6*30MM BOLT  | 8    |
| K   |  | SHELF SUPPORT | 12   |
| L   |  | WRENCH        | 1    |
| M   |  | ANTI-TIP BAG  | 1    |



**STEP 1**

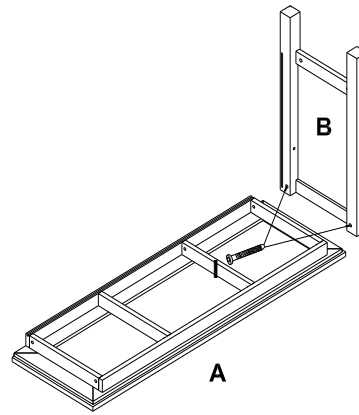
Identify and count all parts using diagram above.

**STEP 2**

Identify and count hardware.

**STEP 3**

Lay top panel (A) upside down on non-abrasive surface and attach left side panel (B) to top panel (A) using 2 M6 \* 35MM Bolts (I). Use Wrench (L) to install Bolts.



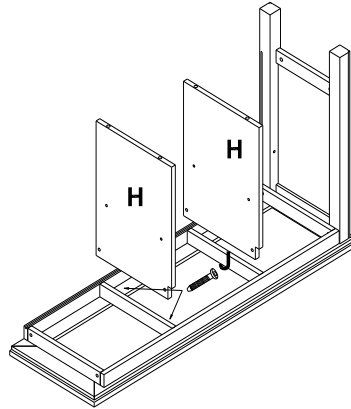
**Do not over tighten Bolts at this time. Assemble Loose.**

---

**STEP 4**

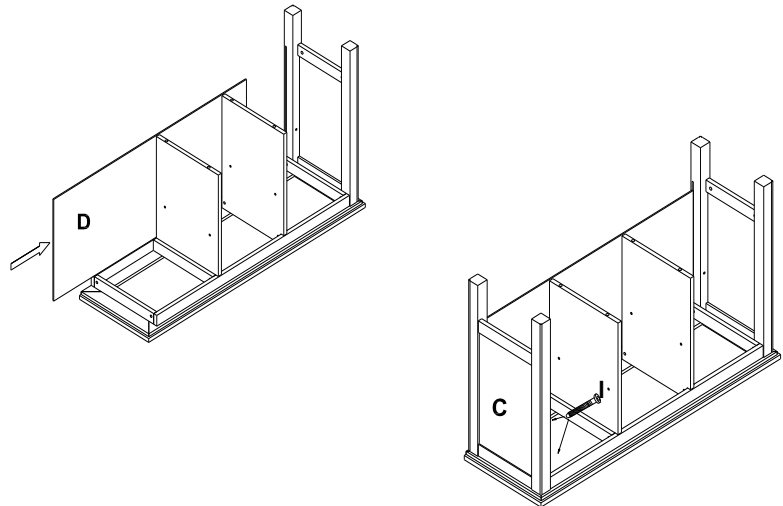
Attach Vertical Dividers (H) to Center Support Rails on under side of top using 4 M6 \* 30MM Bolts (J). Use Wrench (L) to install Bolts.

**Do not over tighten Bolts at this time. Assemble Loose.**



**STEP 5**

Position Back Panel (D) in to grooves on Left Side Panel (B) and in Back Rail on Top (A). Align groove in Right Side Panel (C) with Back Panel. Attach Right Side Panel (C) to top panel (A) using 2 M6 \* 35MM Bolts (I). Use Wrench (L) to install Bolts.

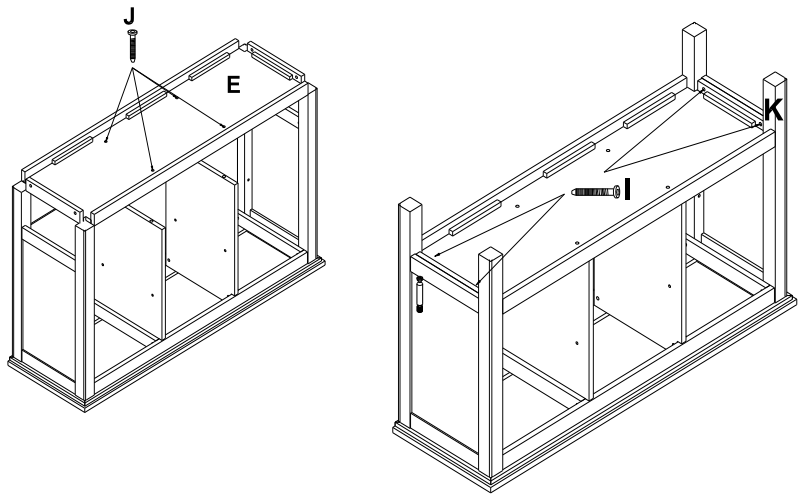


**Do not over tighten Bolts at this time. Assemble Loose.**

---

**STEP 6**

Position Bottom Panel (E) between the Left and Right Ends. Align the Groove in the Bottom with the Back Panel. Attach bottom panel to Vertical Dividers (H) using 4 M6 \* 30MM Bolts (J) and to the Right and Left End Panels (B) and (C) with 4 M6 \* 35MM Bolts (I). Use Wrench (L) to install and tighten all bolts.

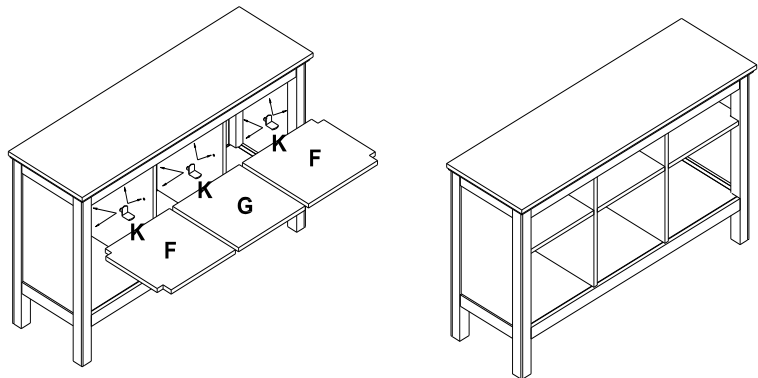


**At this point tighten all assembly bolts.**

---

**STEP 6**

Position assembled case upright. Insert 12 Shelf Supports (K) in to predrilled holes in the Left, Center and Right hand openings in Console. Place Shelves (F) on the Shelf Supports in the Left and Right sides of Console. Place Shelf (G) on the Shelf Supports in center of Console. Make sure the Shelves are seated down firmly on the Shelf Supports.



---

CARE: Clean with mild soap and wipe dry.



[www.llbean.com](http://www.llbean.com)

Product Support 1 800 341 4341