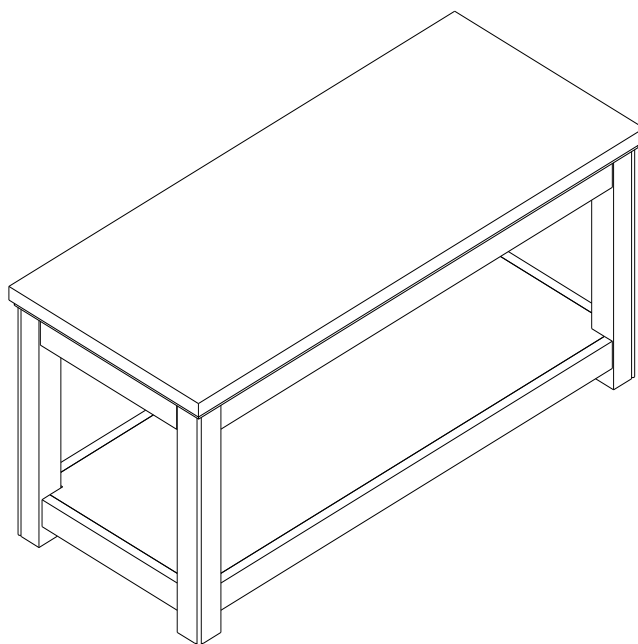


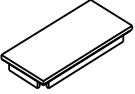






Painted Farmhouse Bench Small - OTNQ9 & OTNR1

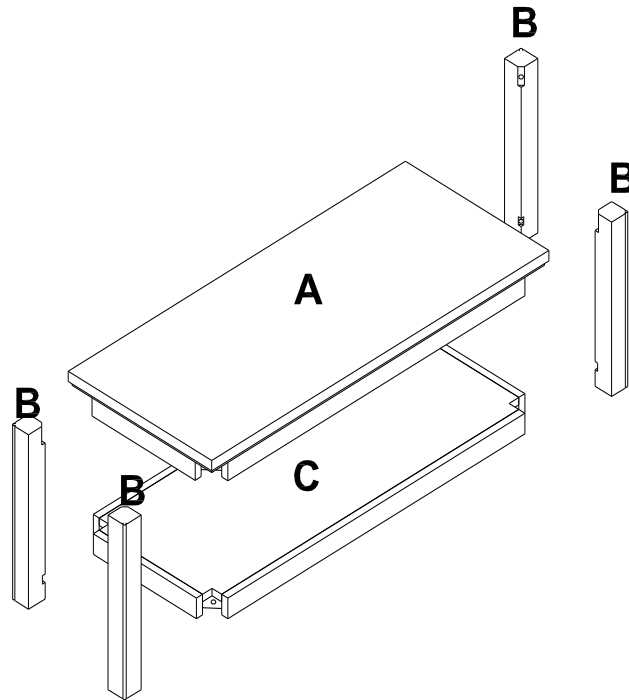


Thank you for purchasing our Bench. It is helpful to have a second person available during the assembly of this product.

Lay out parts on a non-abrasive surface to avoid scratching finish.

NO.	DRAWING	DESCRIPTION	QTY.
A		TOP	1
B		POST	4
C		BOTTOM	1

NO.	DRAWING	DESCRIPTION	QTY.
D		M6*45MM BOLT	8
E		WRENCH	1



STEP 1

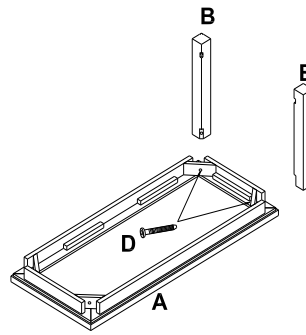
Identify and count all parts using diagram above.

STEP 2

Identify and count hardware.

STEP 3

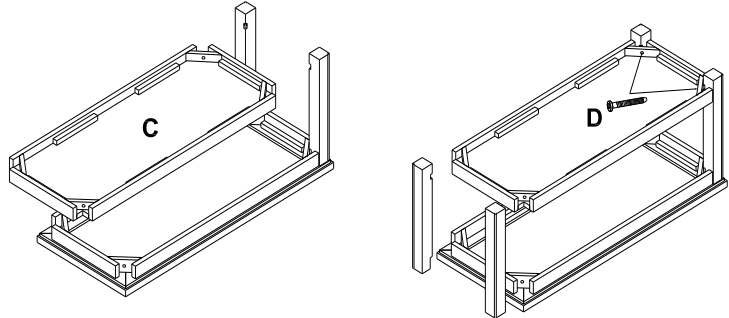
Position Top Assembly (A) upside down on non-abrasive surface. Attach 2 Post (B) using 2 M6 * 45MM Bolts (D). Use Wrench (E) to install Bolts.



**Do not over tighten Bolts at this time.
Assemble Loose.**

STEP 4

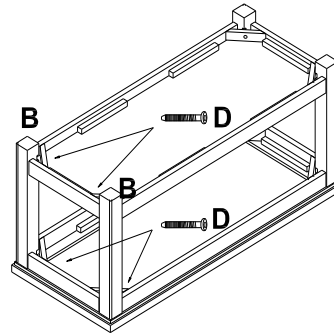
Align Bottom Shelf (C) with inserts in Post (B). Attach Bottom Shelf (C) to Post (B) using 2 M6 * 45MM Bolts (D). Use Wrench (E) to install Bolts.



**Do not over tighten Bolts at this time.
Assemble Loose.**

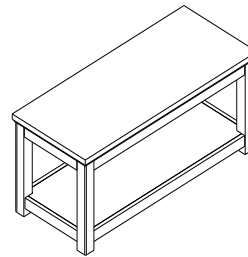
STEP 5

Attach 2 additional Post (B) to the Top (A) and Bottom Shelf (C) using 4 M6 * 45MM Bolts (D). Use Wrench (E) to install and tighten all Bolts.
At this point tighten all assembly Bolts.



STEP 6

Position assembled case upright.



CARE: Clean with mild soap and wipe dry.



www.llbean.com

Product Support 1 800 341 4341