

STOP ! PLEASE READ FIRST :

Thank you for purchasing this item from Outdoor Interiors.

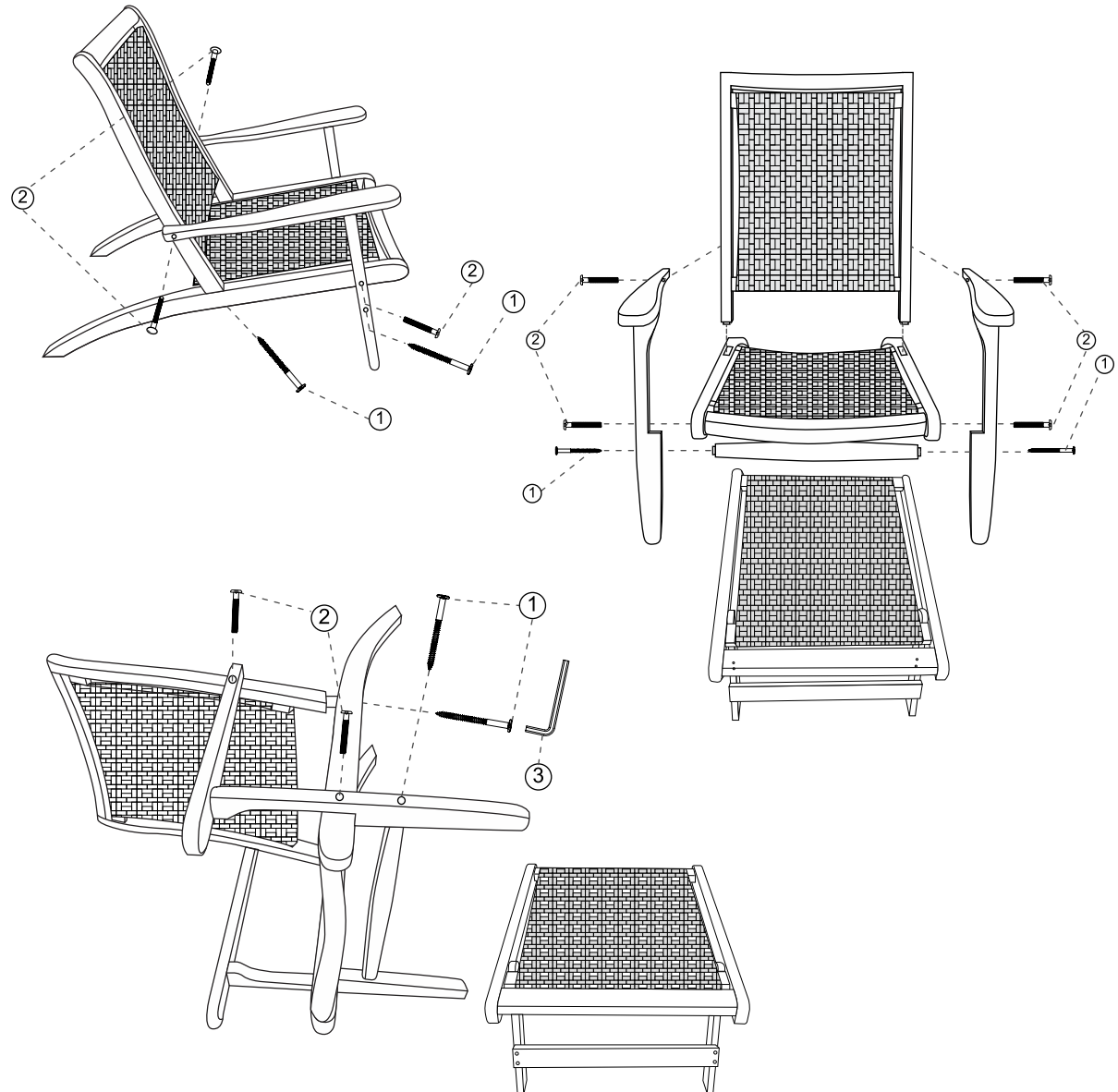
Please verify all the hardware and components are included as you unpack the carton.
Use a soft area or the empty box as a barrier on hard surfaces to assemble the item.
Place the items in a safe area to avoid loss and damaging contents.





ASSEMBLY TIPS: Never over-tighten any screws or bolts. Assemble furniture on its side while following pictured instructions. It 's best to assemble with 2 people.
Never fully tighten any bolt/screw until all inserted on each side, Then tighten.

OTTOMAN TIPS: The ottoman slides in and out freely before or during use. Note that the ottoman legs must be lifted gently and tucked under fully before sliding back into seat unit to rest flush against seat edge.

Please visit our website if you have any question www.outdoorinteriors.com
Please review the "PLEASE OIL ME" card for how to care & maintain your new furniture.
Thanks enjoy.

Wicker & Eucalyptus lounger w/ottoman #21250TGR



NO.	HARDWARE LIST	QTY.
1	Screw M7 x 90 mm 	4 PCS
2	Bolt M8 x 50 mm 	4 PCS
3	Allen Key 	1 PC
4	Portable Drill Bit 	1 PC